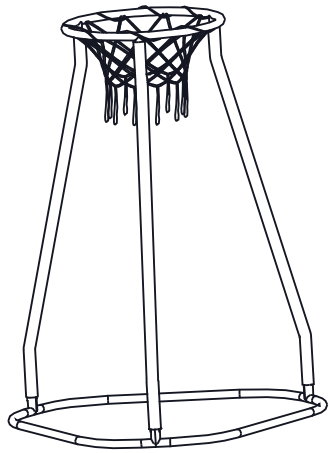


Basketball Stand

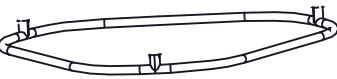


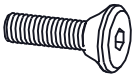



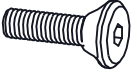



⚠ WARNING:
CHOKING HAZARD - Small parts.
Whilst unassembled the set is not suitable for children under 3 years due to small parts.

ADULT ASSEMBLY REQUIRED

CE
Made in China

Contents Important: Please retighten screws periodically.
NOTE: Please read instructions before starting to assemble.

<p>A</p>  <p>X1</p>	<p>B</p>  <p>X3</p>	<p>C</p>  <p>X1</p>
<p>D</p>  <p>X6</p>	<p>E</p>  <p>X1</p>	<p>F</p>  <p>X3</p>
<p>G</p>  <p>X3</p>	<p>SPARE</p>  <p>X1</p>	<p>SPARE</p>  <p>X3</p>

Fit the 3 legs (B) to base (A) using 3 bolts (D). Clip the 3 plastic feet (G) to base (A).

Fit 3 screw cups (F) into each leg (B). Fit hoop (C) using 3 bolts (D) ensuring hoop (C) is the correct way up, holes in hoop (C) are recessed on the top side to allow bolts (D) to fit flush or below the top edge of hoop (C).

